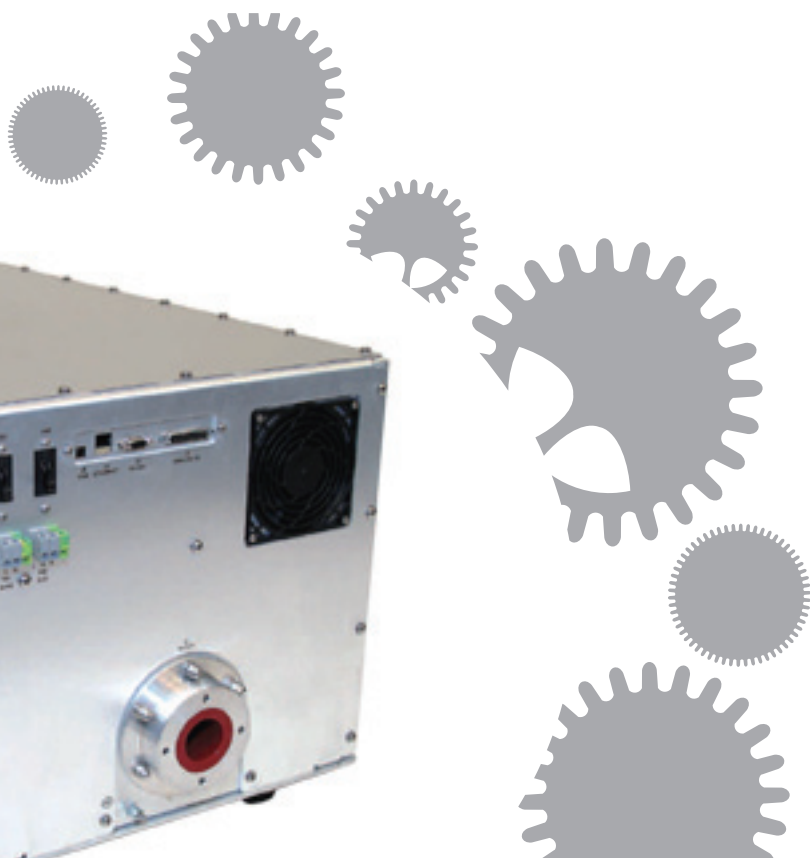
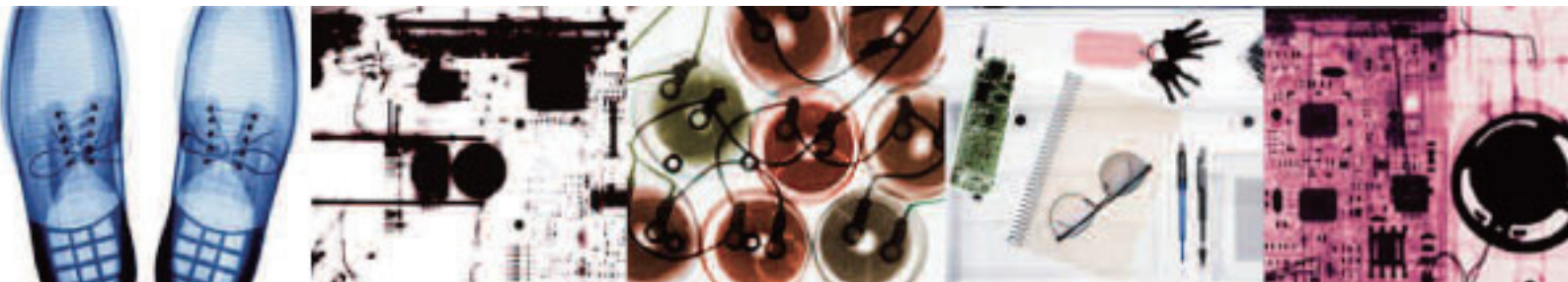




**艾瑞特电气**  
X-RayTechnology

**XRV系列X射线高频高压发生器**

**XRV Series X-Ray HF. And HV. Generator**



**丹东艾瑞特电气有限公司**

Dandong X-RayTechnology Co.,Ltd

# 1.8KW-6.0KW XRV 系列 X射线高频高压发生器

## The XRV Series 1.8KW- 6.0KW X-Ray HF. And HV. Generators

### 应用

- 无损检测/检查
- 工业CT
- X射线分析
- 医用X射线
- 自动测试设备
- 安全检查
- 数字成像
- 医疗杀菌/辐射

### XRV系列发生器

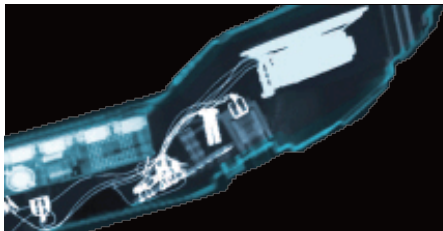
- 160KV, 225KV, 320KV and 450KV 四种型号
- 成套发生器配置
- 功率因子校正交流输入电路
- 集成双灯丝供电
- 数字接口-USB, 以太网 和 RS232 ; 模拟接口
- 极佳的稳定性和可调性

### APPLICATIONS

- NDT/Inspection
- Industrial CT
- Analytical X-RAY
- Medical X-RAY
- ATE
- Security Cargo Scanning
- Digital Radiography
- Medical Sterilization/Irradiation

### XRV Mobile X-Ray Generator

- 160kv, 225kv, 320kv and 450kv models
- Complete x-ray generator package
- Power factor corrected ac input circuitry
- Integrated dual filament supplies
- Digital interface-USB, Ethernet and RS232; Analog interface
- Excellent stability and regulation



独特的PFC-独特的功率因子校正(PFC)电路能有效的抑制由于大范围输入而产生的劣质电流对扫描的影响。保证了低波纹、高稳性的kV,mA输出长时间稳定。  
Arc管理用户化-打弧探测时间小于5 $\mu$ s, 加上积分电路对电流的限制, 可实现对X射线管的有效保护。用户可按照自己的需要设定报警的打弧个数。  
上升时间-300ms内可将电压从0kV上升到满负荷, 误差0.05%。  
灯丝电源-集成的双灯丝电源提供准确而稳定的管电流。

Active PFC - A wide input range minimizes the impact of poor mains quality on the scan.  
Low Ripple and High Stability - Provides consistent output (kV & mA) for longer scans, reduces banding and improves data quality.  
Customizable Arc Management - Arc detection in < 5 $\mu$ Sec, plus integrated current limiting protects your tube. Response and recovery to arc events are fully customizable, allowing you to adjust the system to your specific testing requirements.  
Rise Time - From zero to full kV, and settling to within 0.05% of setting within 300ms.  
Filamentary supply - Integrated dual filament supplies provide accurate and stable tube currents.



## 技术参数

## Specifications

<b>输入电压:</b> 180-264Vac, 47-63 Hz, 功率因子校正输入 $\geq 0.98$	<b>Input Voltage:</b> 180-264Vac, 47-63 Hertz, power factor corrected input to $\geq 0.98$
<b>输入电流:</b> <25 amps	<b>Input Current:</b> <25 amps per phase
<b>输出电压:</b> 负载电压: 在满功率时额定输出电压 $\pm 0.05\%$ 主电源电压: 在规定的输入电压范围内, 额定输出电压 $\pm 0.05\%$ 精确度: 0.25% 稳定性: 预热一小时后, 变化范围 $\leq 0.1\%/8$ 小时	<b>Output Voltage:</b> Load: $\pm 0.05\%$ of rated output voltage for a full load change Line: $\pm 0.05\%$ of rated output voltage over specified input voltage range Accuracy: 0.25% Stability: $\leq 0.1\%$ per 8 hours, after 1 hour warm up
<b>温度系数:</b> 50ppm/ $^{\circ}$ C	<b>Temperature Coefficient:</b> 50ppm/ $^{\circ}$ C
<b>发射电流:</b> 负载: 额定输出电压在30% -100% 范围内, 额定输出电流 $\pm 0.05\%$ 主电源: 在规定的输入电压范围内的额定输出电流 $\pm 0.05\%$ 精确度: 0.25% 稳定性: 100ppm/ $^{\circ}$ C	<b>Emission Current:</b> Load: $\pm 0.05\%$ of rated output current for a change from 30% to 100% of rated output voltage Line: $\pm 0.05\%$ of rated output current over specified input voltage range Accuracy: 0.25% Stability: 100ppm/ $^{\circ}$ C
<b>灯丝:</b> 输出: 10V (直流) 最大0-6A 双焦点: 小焦点和大焦点, 通过接口信号选择。 配置: 直流灯丝驱动。 闭环发射控制系统调节灯丝设定 以提供所需要的X射线管发射电流	<b>Filament:</b> Output: 0-6 amps at a compliance of 10Vdc, maximum Dual Focal Spot: Small and large, selectable via interface signal Configuration: DC filament drive. Closed loop emission control regulates filament setting to provide desired x-ray tube emission current
<b>控制接口:</b> 远程接口: 模拟, USB, 以太网和RS-232为标准配置 控制软件: 一个用VB编写的图形用户界面软 (GUI) 通过 嵌入式程序控制RS-232, USB, 以太网接口	<b>Control Interface:</b> Remote Interface: Analog, USB, Ethernet and RS-232 are standard Control Software: A VB GUI is provided for RS-232/USB, the Ethernet interface has an embedded applet for control
<b>工作温度:</b> 0 $^{\circ}$ C — +50 $^{\circ}$ C	<b>Operating Temperature:</b> 0 $^{\circ}$ C to +50 $^{\circ}$ C
<b>存储温度:</b> -40 $^{\circ}$ C — +85 $^{\circ}$ C	<b>Storage Temperature:</b> -40 $^{\circ}$ C to +85 $^{\circ}$ C
<b>湿度:</b> 20% — 85% (相对湿度), (无凝结)	<b>Humidity:</b> 20% to 85% RH, non-condensing
<b>主电源输入连接器:</b> Type 97-3102A-24-11P	<b>Mains Input Connector:</b> Type 97-3102A-24-11P
<b>接口:</b> 数字----以太网, RS-232 和 USB 模拟----25针 连接器	<b>Interface Connectors:</b> Digital—Ethernet, RS-232 and USB Analog—25 pin connector
<b>冷却:</b> 强制风冷	<b>Cooling:</b> Forced air

**XRV 160/320 系列 主要参数——XRV 160/320 Specifications**

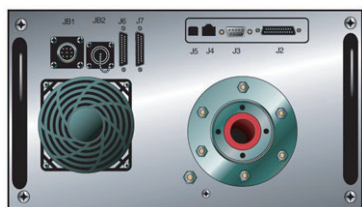
Model 型号	XRV160*1800	XRV160*3000	XRV160*4000	XRV160*6000	XRV320P&N1800	XRV320P&N4500
DC Output Voltage 直流输出电压	0~160kV	0~160kV	0~160kV	0~160kV	0~ ± 160kV	0~ ± 160kV
Polarity 极性	Pos or Neg 阴极或阳极	Pos or Neg 阴极或阳极	Pos or Neg 阴极或阳极	Pos or Neg 阴极或阳极	Bipolar 双极	Bipolar 双极
Output Rated Current 输出额定电流	30mA	0~30mA	0~50mA	0~50mA	30mA	0~30mA
Output Power 输出功率	1.8KW	3.0KW	4.0KW	6.0KW	1.8KW	4.5KW
Ripple/Noise (p-p) 波纹/噪声	<0.025%	<0.05%	<0.1%	<0.25%	<0.025%	<0.1%
Dimensions(in.) 尺寸(英寸)	10.5 × 17 × 24	10.5 × 17 × 24	10.5 × 17 × 24	10.5 × 17 × 24	2 × (10.5 × 17 × 24)	2 × (10.5 × 17 × 24)
Weight 重量	68kg	68kg	68kg	70.3kg	136kg	136kg
Output Connector 输出接口	R24	R24	R24	R24	R24x2	R24x2

**XRV 225/450 系列 主要参数——XRV 225/450 Specifications**

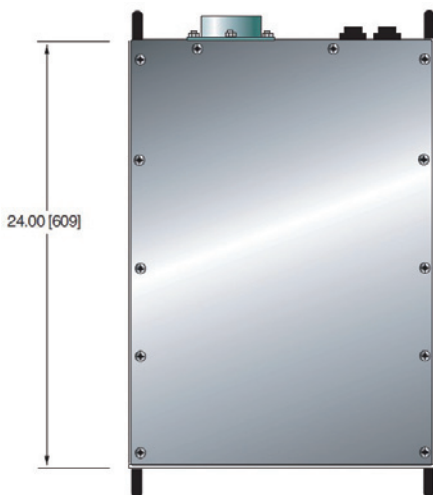
Model 型号	XRV225*1800	XRV225*3000	XRV225*4000	XRV450P&N1800	XRV450P&N4500
DC Output Voltage 直流输出电压	0~225kV	0~225kV	0~225kV	0~ ± 225kV	0~ ± 225kV
Polarity 极性	Pos or Neg 阴极或阳极	Pos or Neg 阴极或阳极	Pos or Neg 阴极或阳极	Bipolar 双极	Bipolar 双极
Output Rated Current 输出额定电流	30mA	0~30mA	0~30mA	30mA	30mA
Output Power 输出功率	1.8KW	3.0KW	4.0KW	1.8KW	4.5KW
Ripple/Noise (p-p) 波纹/噪声	<0.025%	<0.05%	<0.1%	<0.025%	<0.025%
Dimensions(in.) 尺寸(英寸)	16 × 17 × 31	16 × 17 × 31	16 × 17 × 31	2 × (16 × 17 × 31)	2 × (16 × 17 × 31)
Weight 重量	109kg	109kg	109kg	218kg	218kg
Output Connector 输出接口	R28	R28	R28	R28x2	R28x2

### XR V160

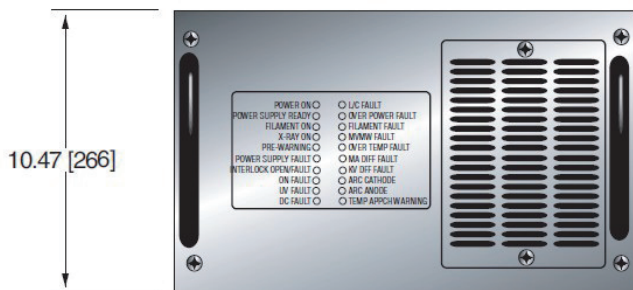
后视图



上视图

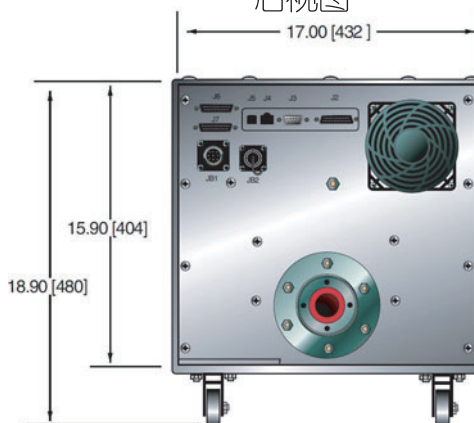


前视图

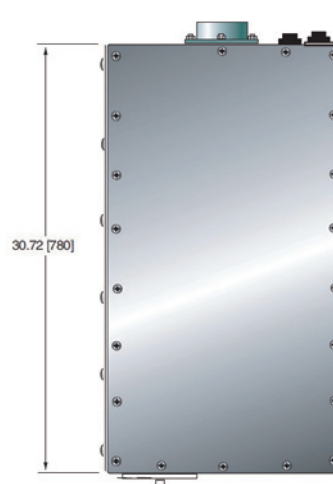


### XR V225

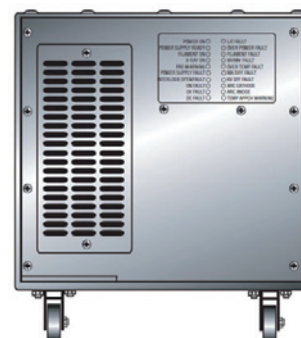
后视图



上视图



前视图



单位：丹东艾瑞特电气有限公司  
地址：辽宁省丹东市新城區仪表園文庆路70-28  
电话：+86 415 6123232  
传真：+86 415 6123533 PC: 118009  
电邮：wumingxia@xartchina.com MP:13941556543